

POINT-CLOUD PROCESSING USING HDL CODER

AGENDA

Introduction

- ▶ LiDAR Sensors in Automotive Industry

Point Cloud Processing

- ▶ Classic processing pipeline

HDL-Coder Workflow

- ▶ Hardware structure
- ▶ Examples on the usage

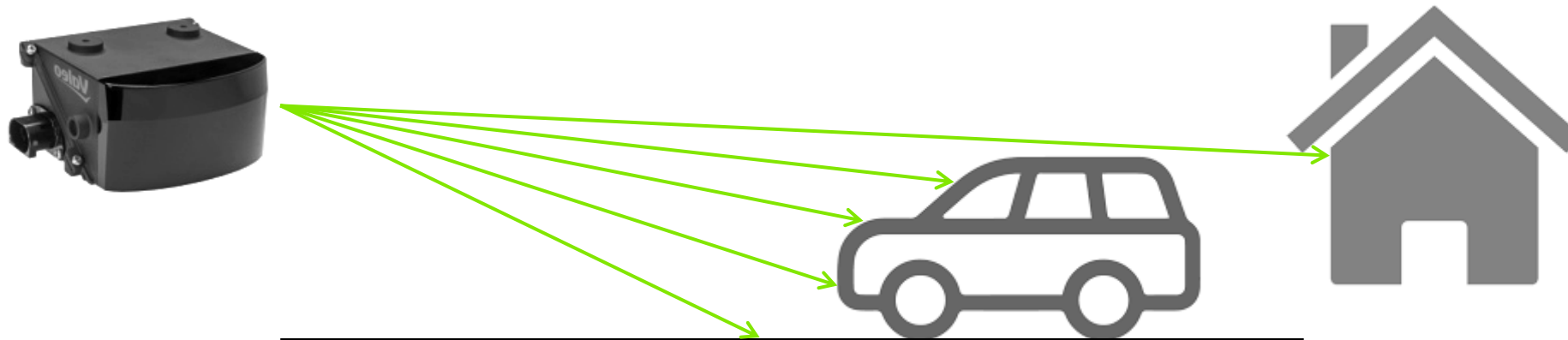
LIDAR SENSORS IN AUTOMOTIVE

Additional sensor technology offering

- ▶ High distance measurement
- ▶ Accurate point distance
- ▶ Working under bad circumstances (fog, night)
- ▶ Enhancing redundancy

Time of flight measurement for emitted Laser Beam

$$d = \frac{\delta_t \cdot c}{2}, \quad \delta_t = \text{measured time till light is received, } c = \text{speed of light}$$



LIDAR SENSORS IN AUTOMOTIVE

Valeo SCALA first mass production LiDAR Sensor for automotive (2017)

- ▶ 58.000 points per second
- ▶ Next generation ~200.000 points per second

Research Utilities

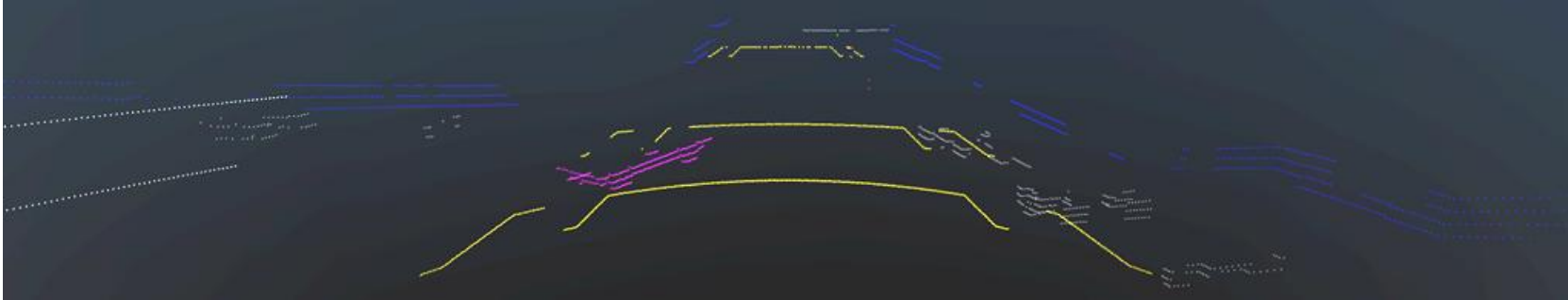
- ▶ Velodyne LiDAR Ultra Puck ~600,000 points per second
- ▶ Velodyne HDL-64E 2.2 million points per second



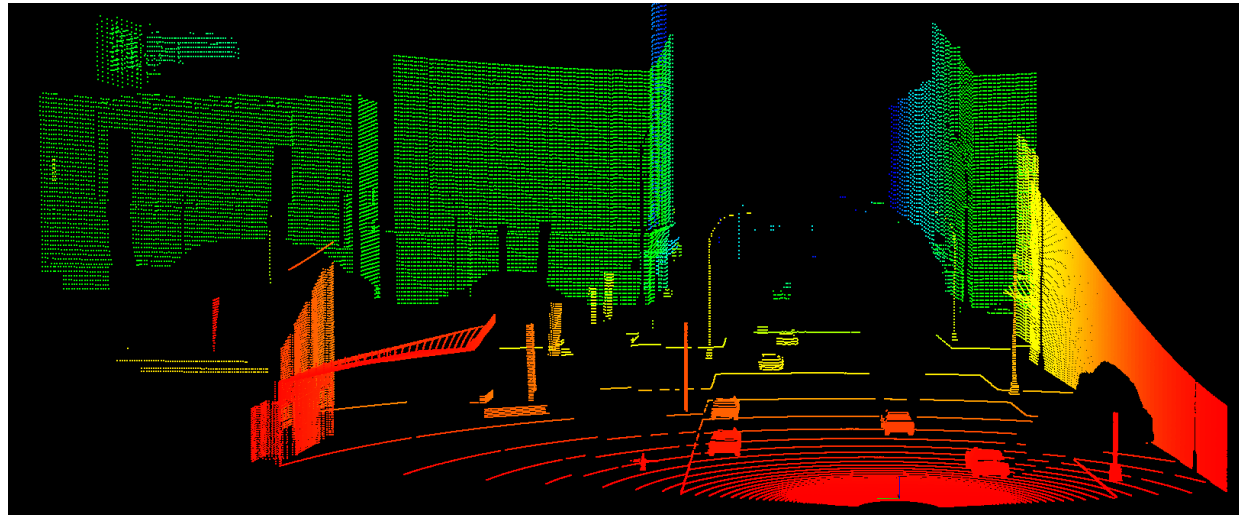
- ➔ Number of points to be processed will increase
- ➔ Possibility of getting more information out of the data

LIDAR SENSORS IN AUTOMOTIVE

State of the art



Possible future resolution



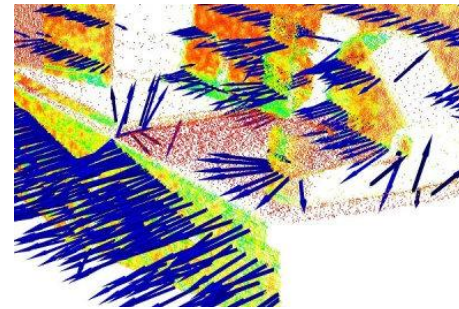
WHAT IS A POINT CLOUD

A point cloud is a set of discrete points in 3D space. Each point is represented by its cartesian coordinates and may hold additional information

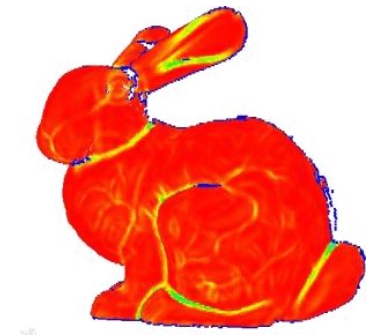
- ▶ XYZ coordinates
- ▶ RGB (Texture)
- ▶ Intensity
- ▶ Normals
- ▶ Curvature
- ▶ ...



360° view

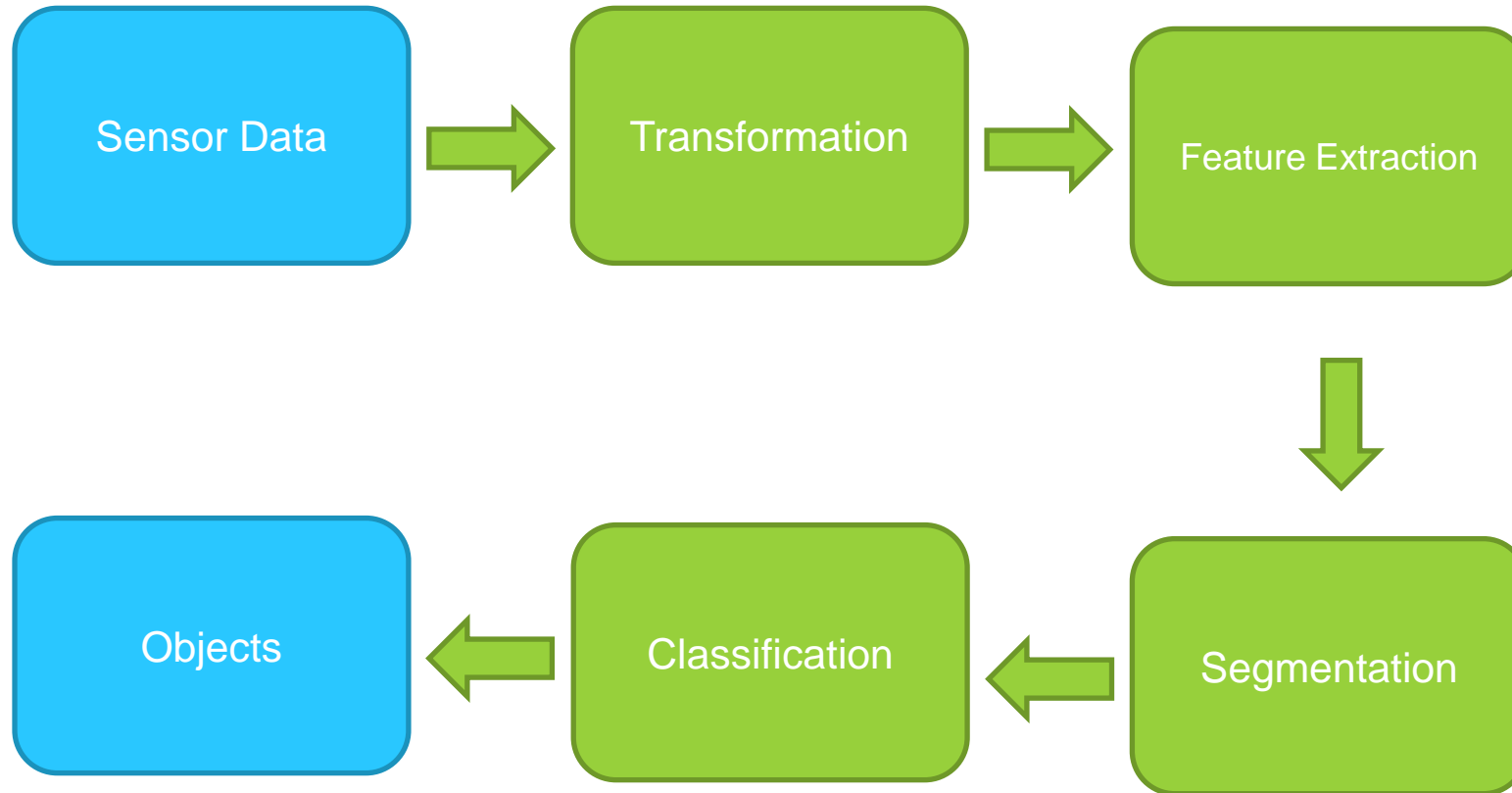


surface Normals



curvature

POINT CLOUD PROCESSING PIPELINE



POINT CLOUD - TRANSFORMATION

Transformation

- ▶ Sensor Data distance measurement
- ▶ Known column and row index (n,m)

$$d(n, m), \quad \text{with } n \in [0, 1, \dots, \#rows], m \in [0, 1, \dots, \#columns]$$

- ▶ Transformation to cartesian coordinates necessary

$$\begin{pmatrix} x(n, m) \\ y(n, m) \\ z(n, m) \end{pmatrix} = f(n, m) \cdot d(n, m) = \begin{pmatrix} \cos(\text{pitch}(n)) \cos(\text{yaw}(m)) \\ \cos(\text{pitch}(n)) \sin(\text{yaw}(m)) \\ \sin(\text{pitch}(n)) \end{pmatrix} \cdot d(n, m)$$

- ▶ pitch and yaw depend on resolution, mounting position

POINT CLOUD – FEATURE EXTRACTION

Feature Extraction

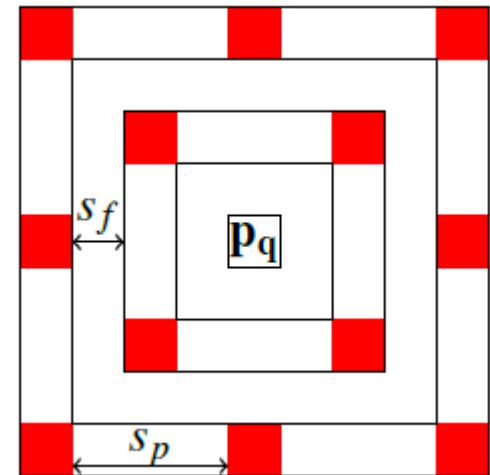
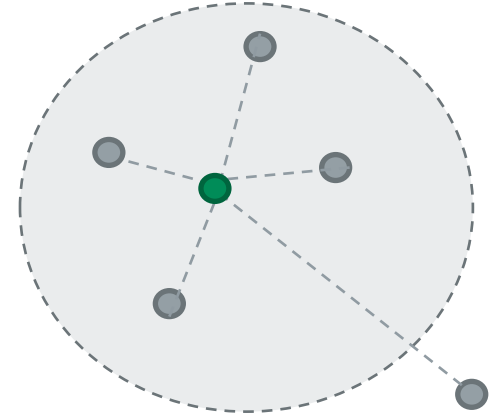
Normal estimation

- ▶ Nearest Neighbours for unorganized point cloud
 - ▶ Brute force
 - ▶ Kd-tree
 - ▶ Approximate nearest neighbours
- ▶ Nearest Neighbours for organized point cloud
 - ▶ Pixel like structure
 - ▶ Define a search mask
- ▶ Normal estimation using PCA
 - ▶ Surface normal corresponds to eigenvector of smallest eigenvalue

Curvature

- ▶ Estimated from Eigenvalues

$$\frac{\lambda_0}{\lambda_0 + \lambda_1 + \lambda_2} \quad \text{with} \quad \lambda_0 \leq \lambda_1 \leq \lambda_2$$



POINT CLOUD – SEGMENTATION

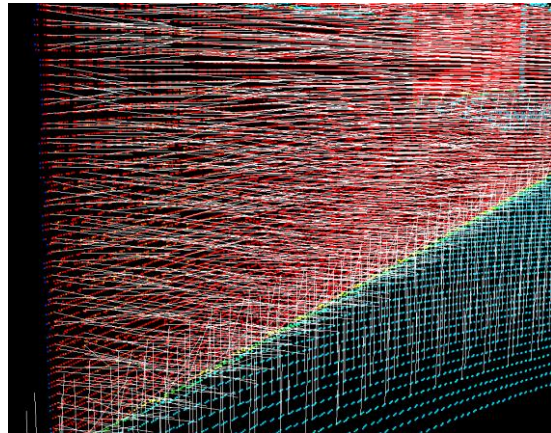
Segmen-
tation

- ▶ Evaluate features to detect

- ▶ Depth changes

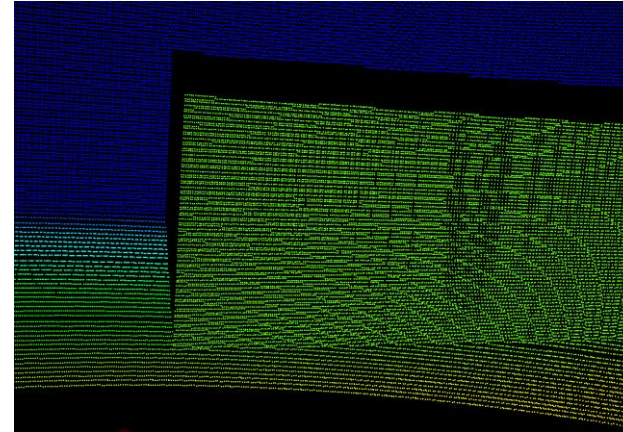


- ▶ Edges



- ▶ Cluster connected points

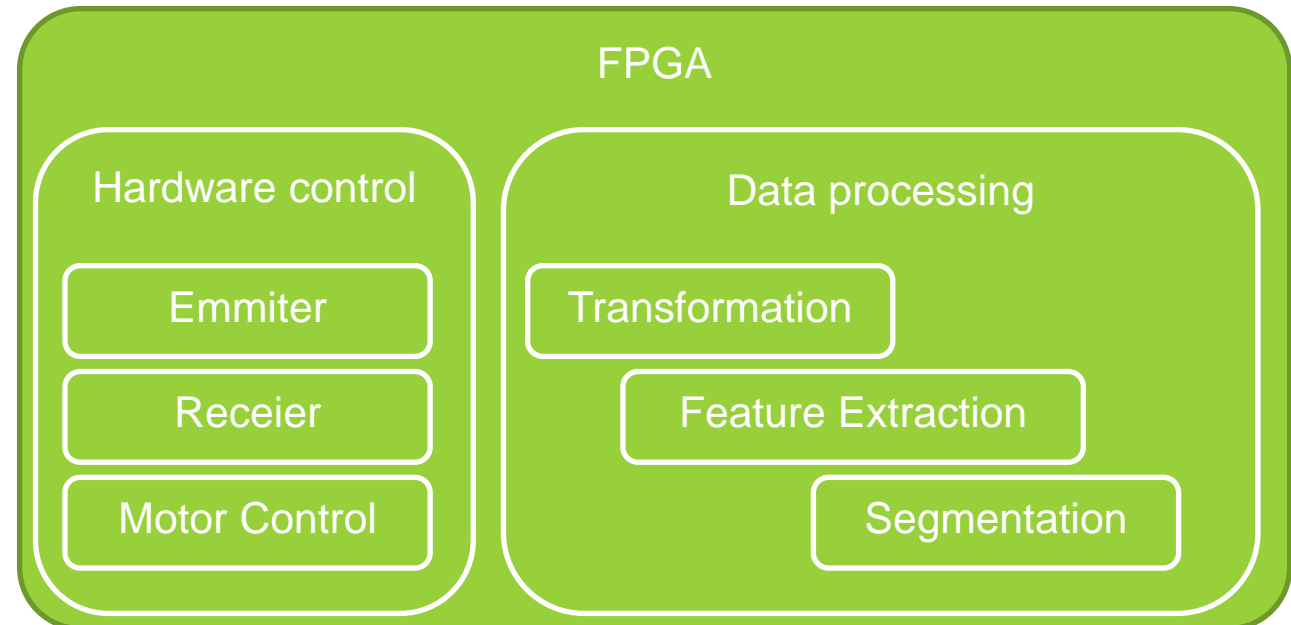
- ▶ Region growing algorithm



WHAT IS AN FPGA AND WHY DO WE USE IT?

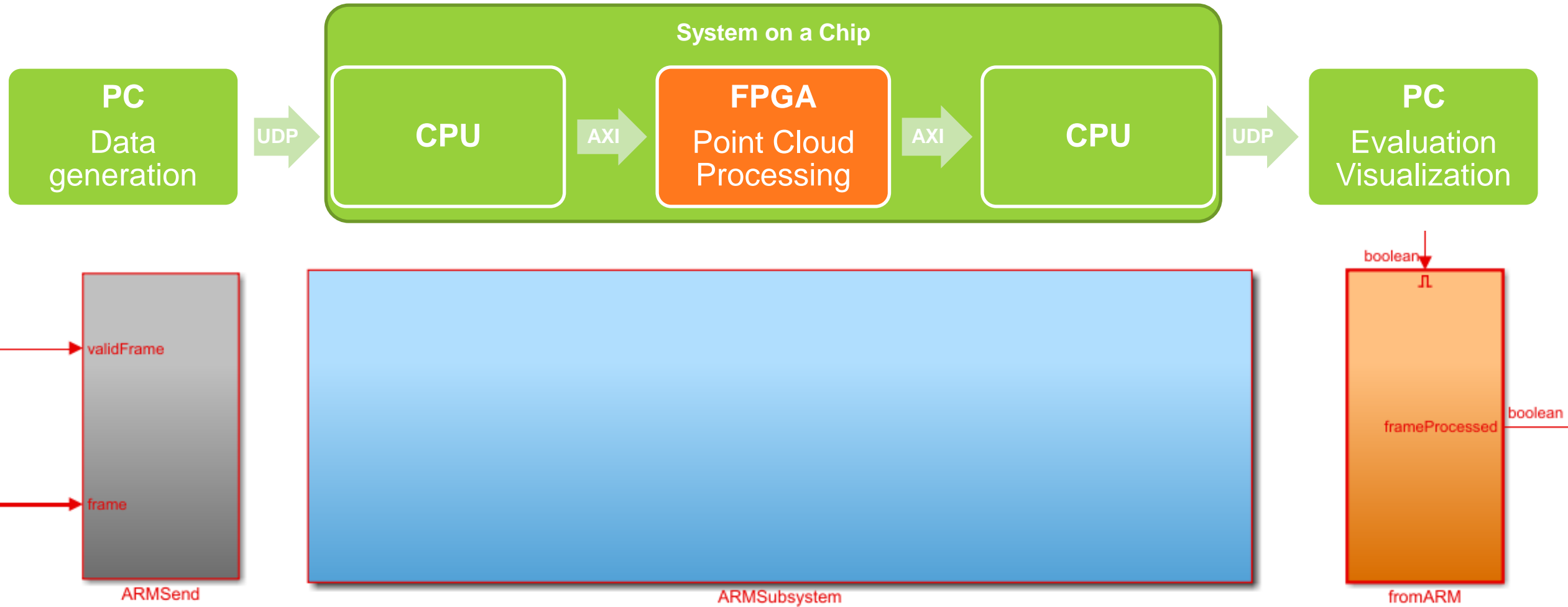
Field Programmable Gate Array

- ▶ Reconfigurable Integrated Circuit
 - ▶ Suitable for new projects
 - ▶ Implementation of bug fixes
- ▶ Parallel processing of
 - ▶ Algorithms for Hardware control
 - ▶ Each step in the data processing pipeline



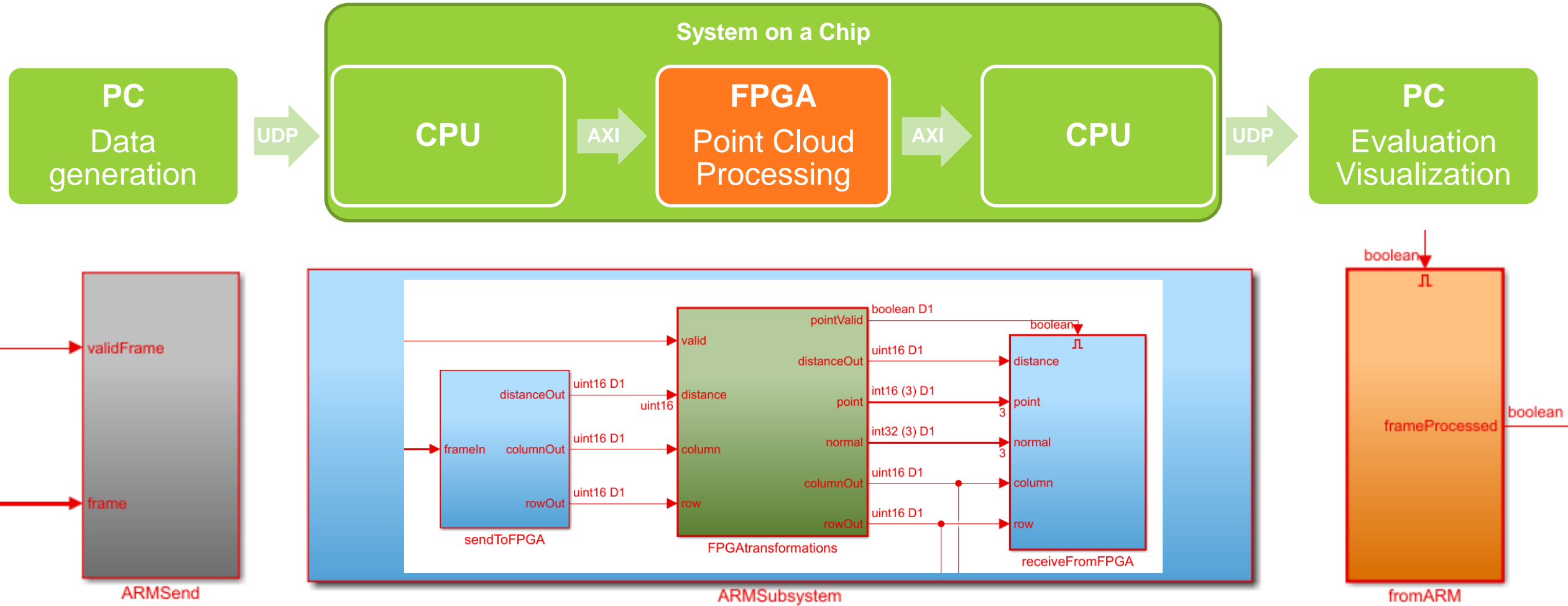
POINT CLOUD PROCESSING ON FPGA

Possible data flow using Embedded-Coder and HDL-Coder



POINT CLOUD PROCESSING ON FPGA

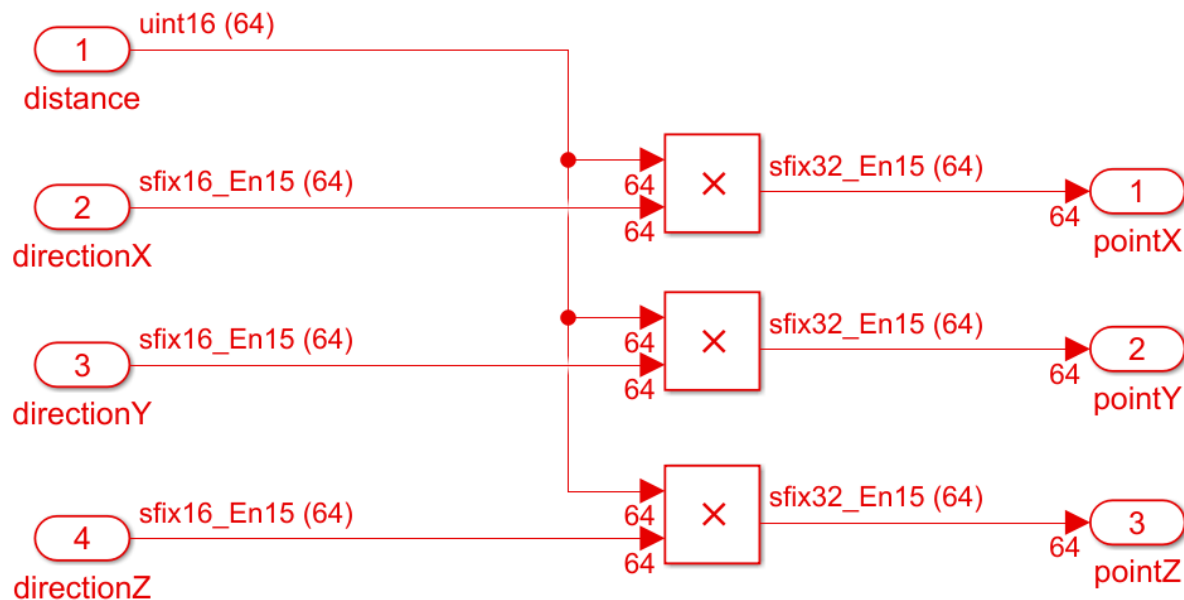
Possible data flow using Embedded-Coder and HDL-Coder



POINT TRANSFORMATION

Example:

- ▶ Column Wise data received from Sensor (64 scan points)
- ▶ Transformation multipliers from lookup table available



Summary

Multipliers	192
Adders/Subtractors	0
Registers	2
Total 1-Bit Registers	2
RAMs	0
Multiplexers	0
I/O Bits	7174
Static Shift operators	0
Dynamic Shift operators	0

Critical Path Details

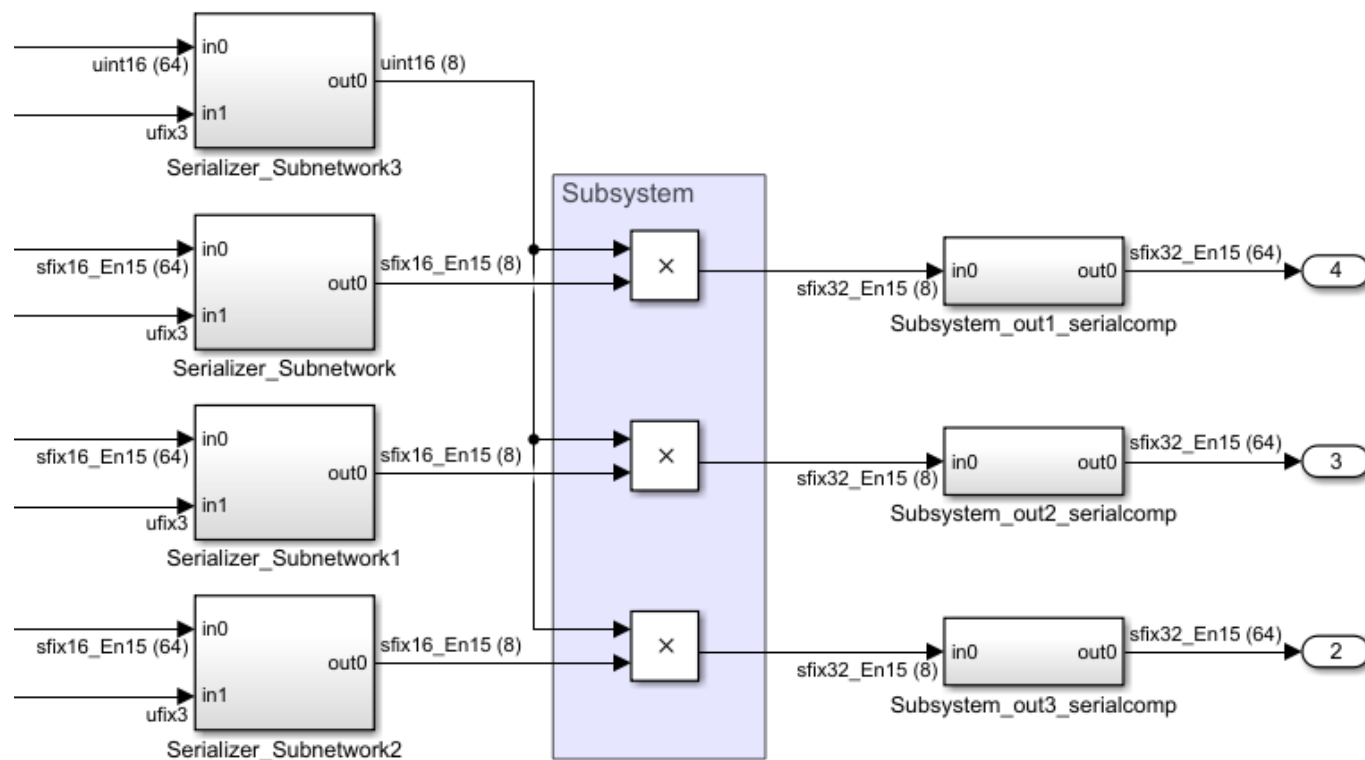
Id	Propagation (ns)	Delay (ns)	Block Path
1	3.9260	3.9260	Product2

POINT TRANSFORMATION

Streaming inserted

SharingFactor

StreamingFactor



Summary

Multipliers	24
Adders/Subtractors	4
Registers	385
Total 1-Bit Registers	11565
RAMs	0
Multiplexers	44
I/O Bits	7174
Static Shift operators	0
Dynamic Shift operators	0

Critical Path Details

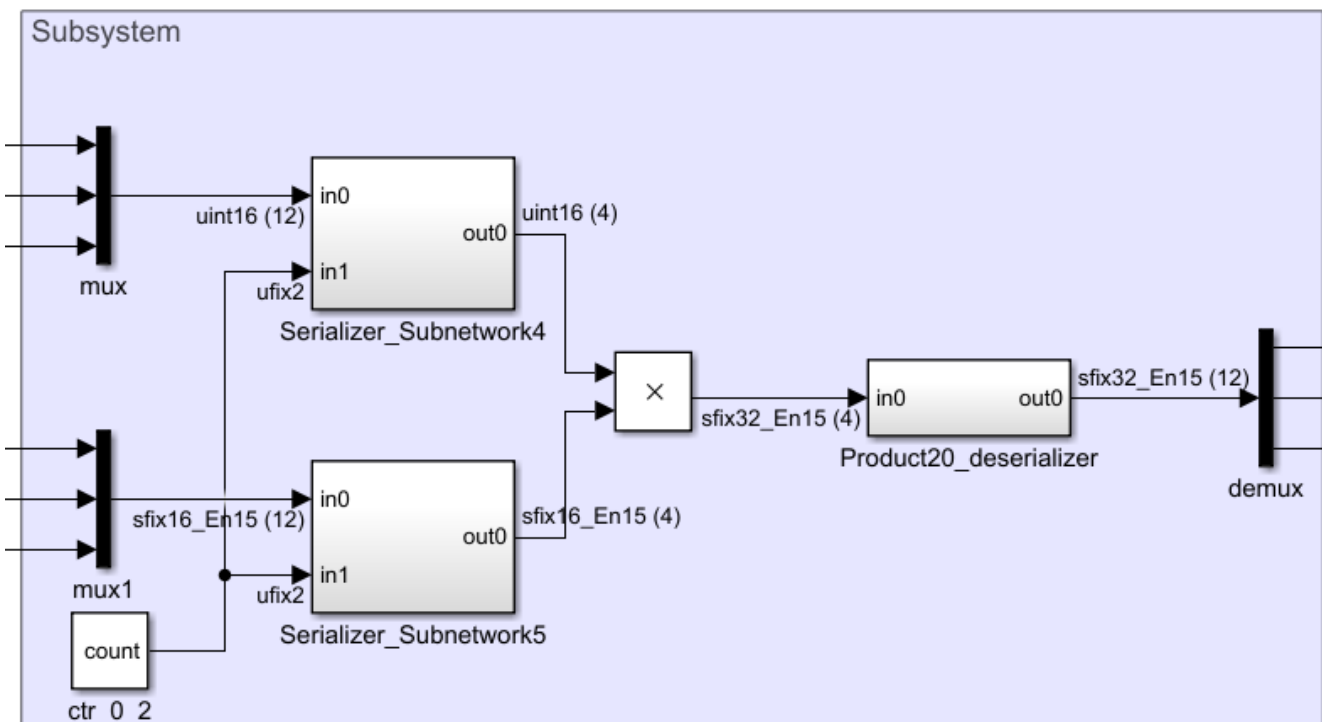
Id	Propagation (ns)	Delay (ns)	Block Path
1	0.4740	0.4740	ctr_0_7
2	1.3365	0.8625	splitcomp_multiport
3	5.2625	3.9260	Product_out1_serialcomp_in_buff
4	5.4320	0.1695	Product_out1_serialcomp

POINT TRANSFORMATION

Streaming and Sharing inserted

SharingFactor

StreamingFactor



Summary

Multipliers	4
Adders/Subtractors	6
Registers	618
Total 1-Bit Registers	18381
RAMs	0
Multiplexers	41
I/O Bits	7174
Static Shift operators	0
Dynamic Shift operators	0

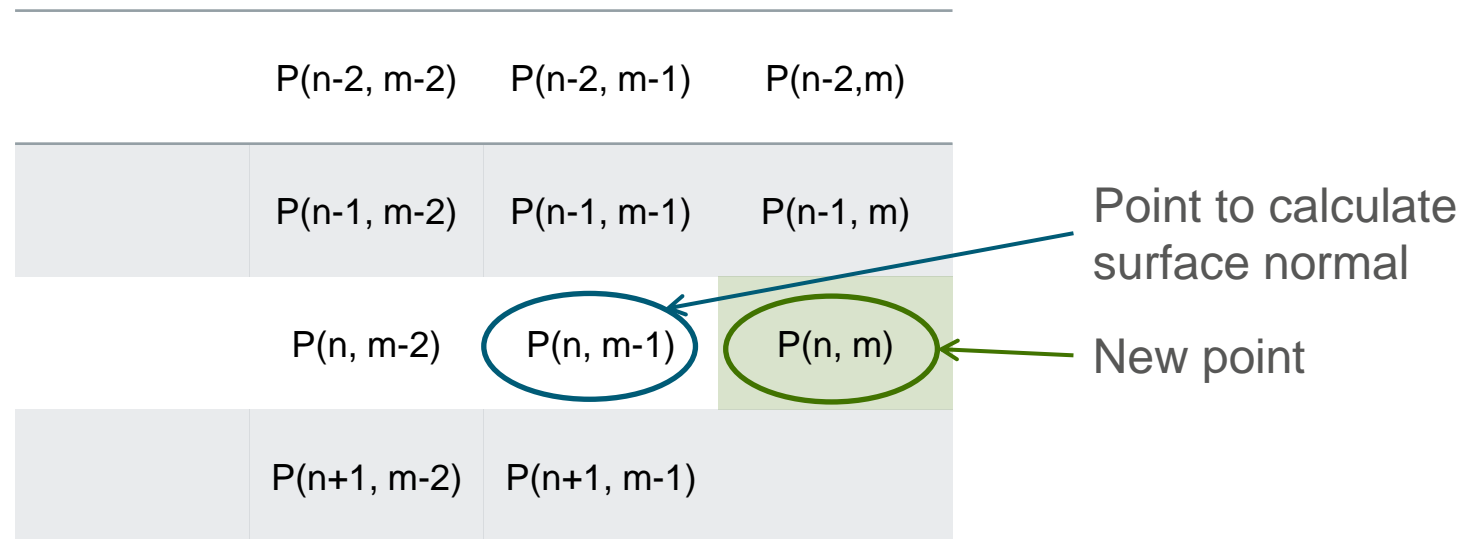
Critical Path Details

Id	Propagation (ns)	Delay (ns)	Block Path
1	0.4740	0.4740	ctr_0_15
2	1.1465	0.6725	splitcomp_multiport
3	1.1465	0.0000	mux
4	1.1465	0.0000	ratechange_splitcomp
5	1.8245	0.6780	splitcomp_multiport
6	5.7505	3.9260	Product20_deserializer_in_buff
7	5.9200	0.1695	Product20_deserializer

NORMAL ESTIMATION

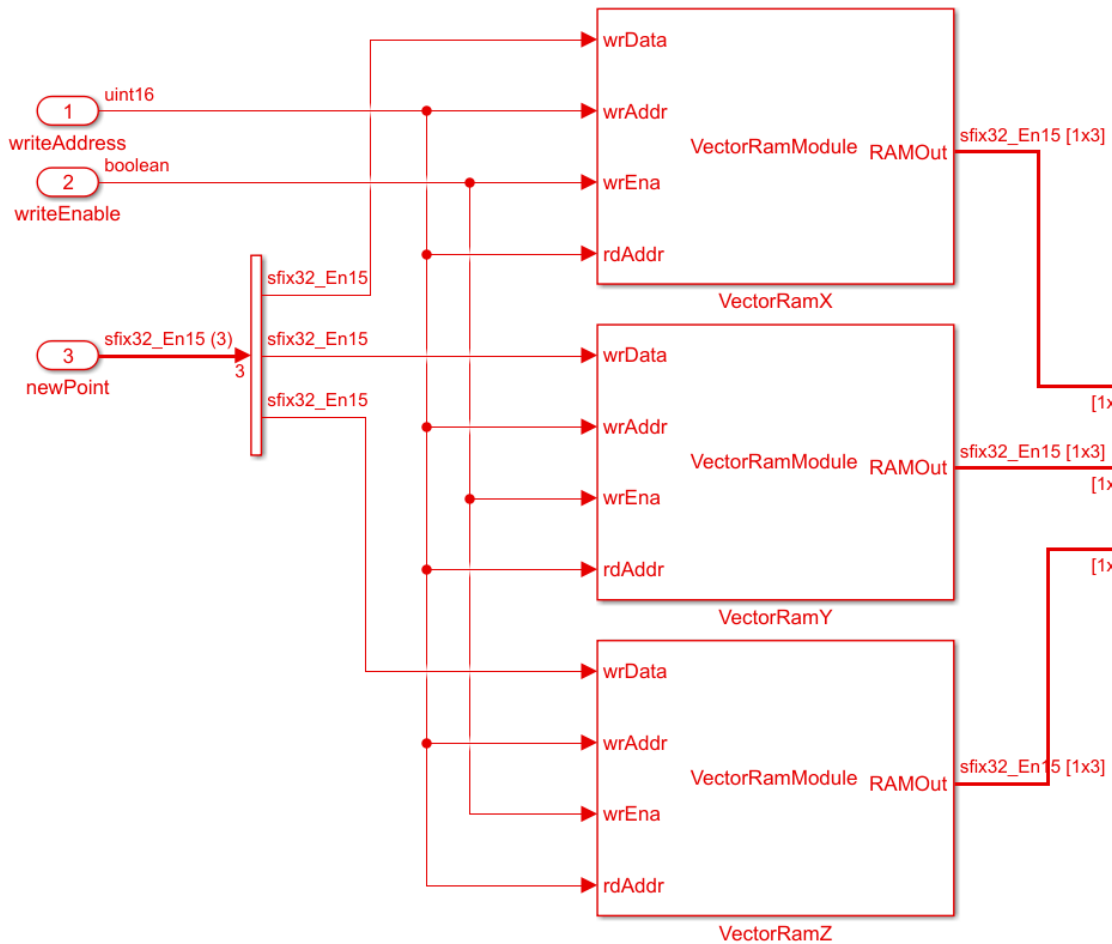
Example: Simple normal estimation

- ▶ Assumptions
 - ▶ Organized Point Cloud
 - ▶ Data processed point wise in increasing manner (column and row wise)



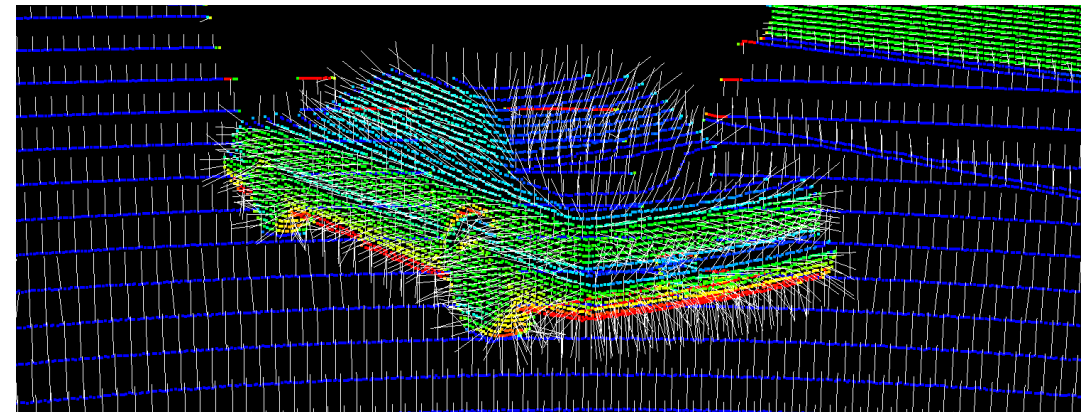
$$N(n, m - 1) = \underbrace{[P(n, m) - P(n, m - 2)]}_{\text{horizontal tangent}} \times \underbrace{[P(n + 1, m - 1) - P(n - 1, m - 1)]}_{\text{vertical tangent}}$$

NORMAL ESTIMATION



Using Vector-Ram Blocks (Matlab System object)

- ▶ Store currently not needed data in Ram
- ▶ Read 3 Values from Ram at once



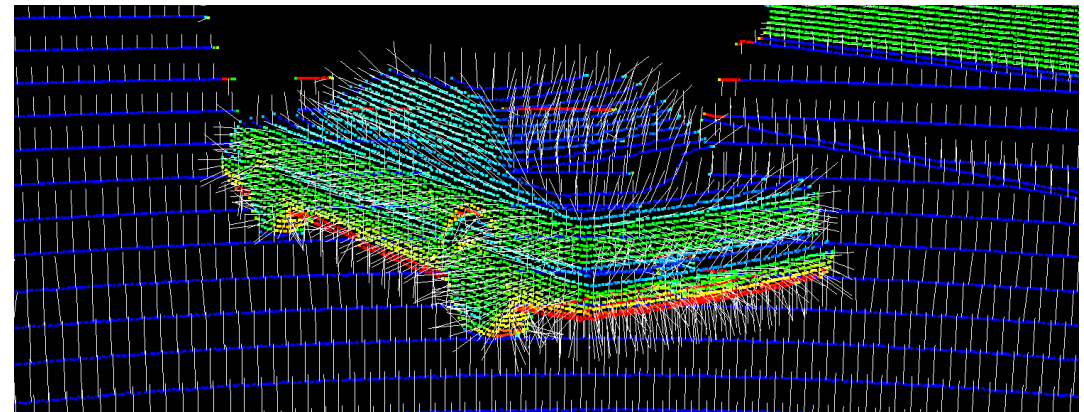
SUMMARY

HDL Coder

- ▶ Algorithm development for FPGA without VHDL coding
- ▶ Run as HiL-Setup directly
- ▶ Comparable to Simulink implementation

Challenges

- ▶ Algorithm selection
 - ▶ What can be implemented?
 - ▶ How to adopt algorithms?





SMART TECHNOLOGY
FOR SMARTER CARS